

# Three Point Latching Exit Device

## 8860S Panic Rated Exit Device

## 8860F Fire Rated Exit Device

### Description

It is available for standard door height of 7' or 8'.

### Certifications

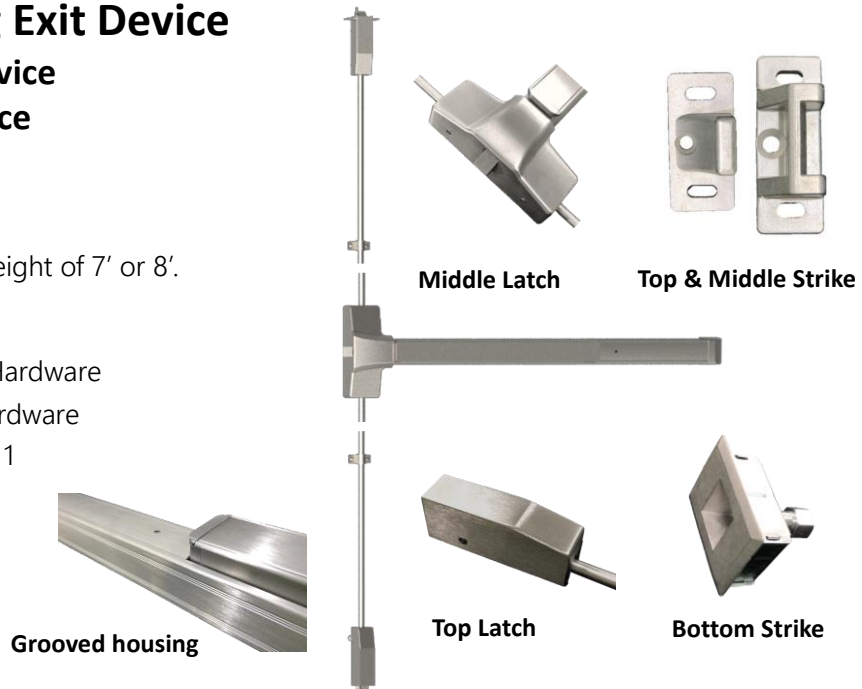
- UL 305 Standard for Panic Exit Hardware
- UL 10C Standard for Fire Exit Hardware
- ANSI/BHMA A156.3-2014 Grade 1

### Features

- Non-handed
- For all types of doors

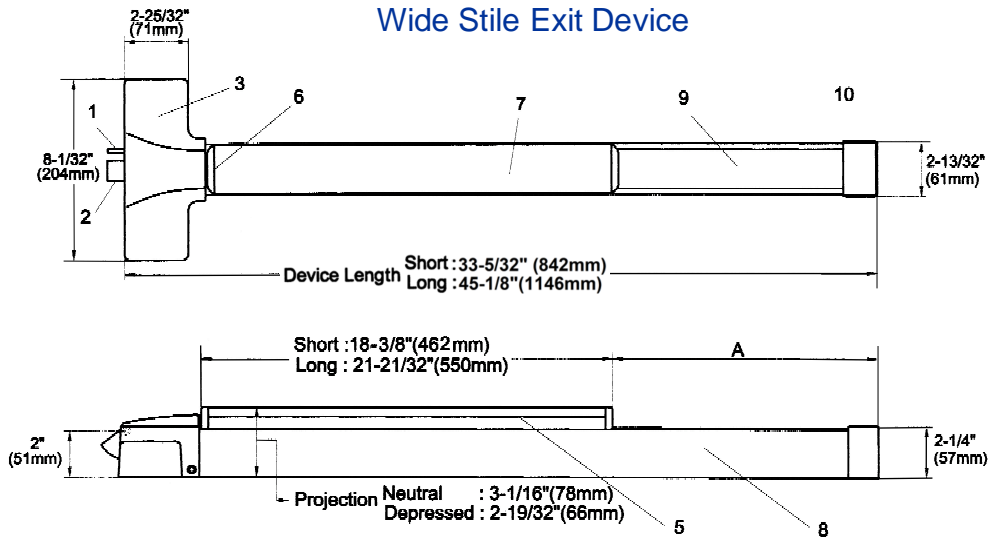
### Specifications

Device Lengths	<ul style="list-style-type: none"> <li>• Short (36") actual end to end length 33-5/32" (842mm)</li> <li>• Long (48") actual end to end length 45-1/8" (1146mm)</li> </ul>
Door Widths	<ul style="list-style-type: none"> <li>• (36") for 29" to 36" (736mm to 914mm) door size</li> <li>• (48") for 33" to 48" (838mm to 1219mm) door size</li> </ul>
Minimum Stile Width	4-1/4" (107mm)
Latch Bolt	<ul style="list-style-type: none"> <li>• Top latch 5/8" (15mm) throw stainless steel</li> <li>• Middle latch 3/4" (18mm) throw Deadlocking design stainless steel</li> <li>• Bottom latch 5/8" (16mm) throw. Held in retracted position during door swing</li> </ul>
Dogging	<ul style="list-style-type: none"> <li>• Panic Rated Exit Device - Hex Key Dogging (RD) standard</li> <li>• Fire Rated Exit device - No Dogging (ND)</li> </ul>
Dogging Options	<ul style="list-style-type: none"> <li>• Cylinder Dogging (CD)</li> <li>• Less Dogging (LD)</li> </ul>
Fasteners	<ul style="list-style-type: none"> <li>• Panic Rated Exit Device <ul style="list-style-type: none"> <li>- Machine screws furnished standard for HMD</li> <li>- For wood doors sex nuts and bolts (SNB) can be ordered separately</li> </ul> </li> <li>• Fire Rated Exit Device <ul style="list-style-type: none"> <li>- Sex nuts and bolts (SNB) supplied standard</li> </ul> </li> </ul>
Mounting Height	Standard device centerline from finished floor is 40" (1016mm)
Vertical Rods	<ul style="list-style-type: none"> <li>• 1/2" (13mm) diameter tubular with rod guides.</li> <li>• Top rod has two pieces for accommodating 7' or 8' doors</li> <li>• Bottom rod is one piece with a length of 31-1/4" (794mm)</li> </ul>
Projection	<ul style="list-style-type: none"> <li>• Push bar Neutral 3-1/16" (78mm).</li> <li>• Push bar Depressed 2-19/32" (66mm)</li> </ul>
Finishes	US3, US4, US10, US10B, US26, US26D, US32D



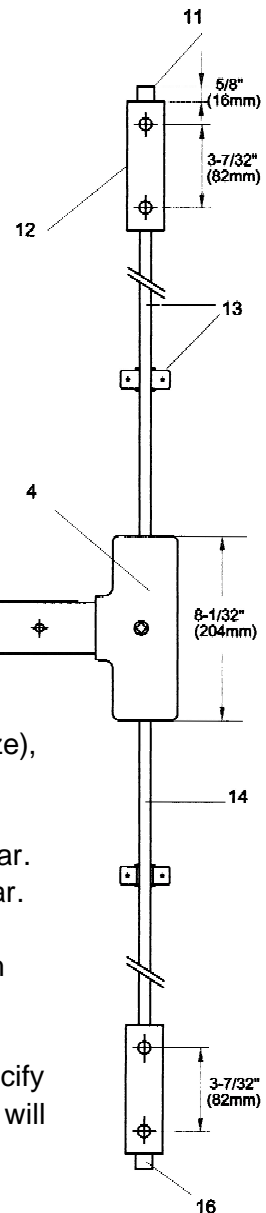
## DIMENSIONS

### Wide Stile Exit Device



### Parts Material

- |   |                                     |
|---|-------------------------------------|
| 1. Auxiliary Guarded Latch -----            | Stainless steel                     |
| 2. Latch bolt, 3/4" (19mm) throw -----      | Stainless steel                     |
| 3. Chassis Cover -----                      | Nonferrous alloy or stainless steel |
| 4. Chassis-----                             | Plated steel                        |
| 5. Push Bar -----                           | Extruded aluminum                   |
| 6. Push Bar End Cap -----                   | Nonferrous alloy                    |
| 7. Push Bar Trim -----                      | Brass, stainless steel, steel       |
| 8. Mechanism Housing (or device body) ----- | Extruded aluminum                   |
| 9. Dogging Plate (or device body) -----     | Extruded aluminum                   |
| 10. End Cap -----                           | Nonferrous alloy                    |
| 11. Top Latch, 5/8" (16mm) throw -----      | Stainless Steel                     |
| 12. Latch Assembly Cover -----              | Brass, stainless steel, steel       |
| 13. Top Vertical Rod & Rod Guide -----      | Strong aluminum tube                |
| 14. Bottom Vertical Rod -----               | Strong aluminum tube                |
| 15. End Cap Bracket -----                   | Plated steel                        |
| 16. Bottom Latch, 5/8" (16mm) throw -----   | Stainless steel                     |



### Device Length

The device lengths are precut for 36" and 48" wide door use (standard shipping size), no additional cutting is necessary.

Short 36" : Device length is  $33-5/32"$  (842mm) for 3' door use, with short push bar.

Long 48" : Device length is  $45-1/8"$  (1146mm) for 4' door use, with long push bar.

For narrow door installation, cut device "A" portion to door width minus 2" minimum to fit properly.

Our standard vertical rod accommodate 7' panic exit doors or 8' fire exit doors, specify door height if greater than standard size when ordering, one special longer top rod will be furnished.