



Concealed Vertical Rod Exit Device

8650S/8850S : Panic-Rated CVR Exit Device

8650F/8850F : Fire-Rated CVR Exit Device

Certifications

UL/cUL Listed : Panic Exit Hardware, or

3-hour Fire Exit Hardware

ANSI Certified : ANSI A156.3 - 2014 Grade 1

Applications

- Panic CVR exit devices are used on single or double metal doors. Fire CVR exit devices are used for UL listed fire labeled pairs of steel doors up to 8' x 8' (2438mm x 2438mm).
- The exit devices are available in the following finishes : US3, US4, US10, US10B, US26, US26D and US32D.
- These CVR models cannot be omitted the bottom rod to use as Less Bottom Rod (LBR) devices.



*ADA and estheticism
Prefer to use*

Above models are not available for 9' or 10' door height use. If doors over 8', to order and specify

Model 10FT-8650S / 10FT-8850S

Model 10FT-8650F / 10FT-8850F

The latter models must be certified by UL.

Specifications

Device Lengths ----- Short (36"): 33-15/32" (842 mm), Long (48"): 44-3/4" (1146 mm)

Door Widths ----- 36" - For 29" to 36" (736mm to 914mm) door size
48" - For 33" to 48" (838mm to 1219mm) door size

Minimum Stile Width --- 4-1/4" (107mm)

Latch Bolts ----- Top Latch - 5/8" (16mm) throw, can be deadlocked automatically
Bottom Latch - 5/8" (16mm) throw, held retracted during door swing

Strikes ----- Top - 813 (panic), 823 (fire). Bottom - 815 (panic), 825 (fire)

Dogging Kit ----- Panic device - Hex key dogging (RD) standard
Fire device - Sex nuts and bolts (SNB) supplied standard

Dogging Options ----- Cylinder Dogging (CD)
Less Dogging (LD)

Mounting Fasteners ---- Panic device - Machine screws furnished standard
Fire device - Sex nuts and bolts (SNB) supplied standard

Mounting Height ----- Device centerline from finished floor is 40" (1016mm) standard

Door Opening Height -- Standard door height is 7', 8' is available

Vertical Rods ----- 1/2" (13mm) diameter tubular
Top rod has two pieces to connect for accommodation 7' or 8' door
Bottom rod is one piece, its length is 31-1/4" (794mm)

Projection ----- Pushbar Neutral: 3-1/16" (78mm), Pushbar Depressed: 2-19/32" (66mm)



Wood Door Concealed Vertical Rod Exit Devices

WD8650S/WD8850S : Panic-Rated CVR Exit Device

WD8650F/WD8850F : Fire-Rated CVR Exit Device

Certifications

UL/Cul Listed : Panic Exit Hardware, or
3-hour Fire Exit Hardware
ANSI Certified : ANSI A156.3 - 2014 Grade 1

Applications

- Panic CVR exit devices are used on single or double wood doors. Fire CVR exit devices are used for UL listed fire labeled pairs of wood doors up to 8' x8' (2438mm x 2438mm).
- The exit devices are available in the following finishes : US3, US4, US10, US10B, us26, US2D and US32D.
- These devices are furnished with two (2) reinforced plates to strengthen both top edge and bottom edge of the wood door.

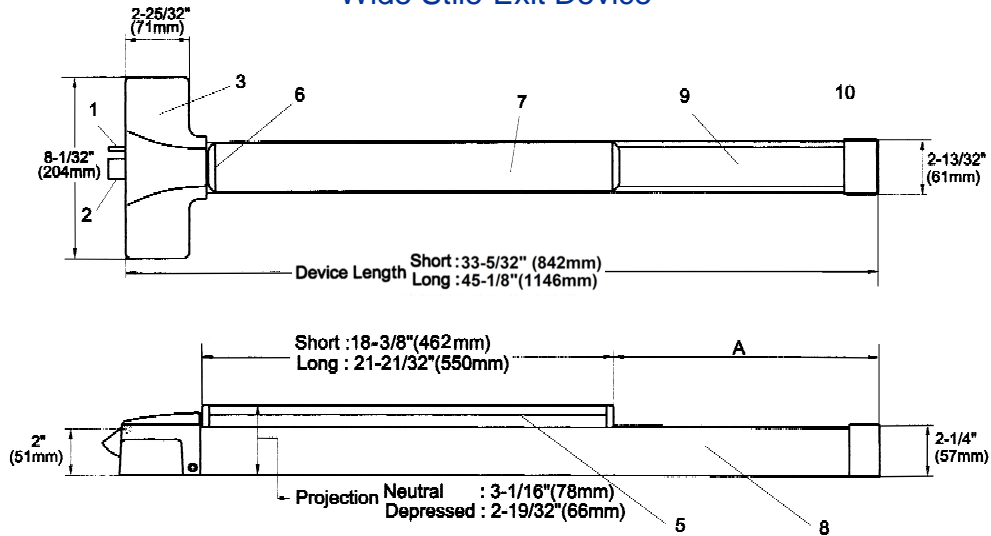


Specifications

- Device Lengths** ----- Short (36"): 33-5/32" (842mm), Long (48"): 45-1/8" (1146mm)
- Door Widths** ----- 36" - For 29" to 36" (736mm to 914mm) door size
48" - For 33" to 48" (838mm to 1219mm) door size
- Minimum Stile Width** -- 4-1/4" (107mm)
- Latch Bolts** ----- Top latch - 5/8" (16mm) throw, can be deadlocked automatically
Bottom latch - 5/8" (16mm) throw, held retracted during door swing
- Strikes** ----- Top - 813 (panic), 823 (fire). Bottom - 815 (panic), 825 (fire)
- Dogging Kit** ----- Panic Device - Hex key dogging (RD) standard
Fire device - No mechanical Dogging (ND)
- Dogging Options** ----- Cylinder Dogging (CD)
Less Dogging (LD)
- Mounting Fasteners** --- Sex nuts and bolts (SNB) supplied standard,
device for wood doors use are requested to mount by SNB
- Mounting Height** ----- Device centerline from finished floor is 40" (1016mm) standard
- Door Opening Height** -- Standard door height is 7', 8' is available
- Vertical Rods** ----- 1/2" (13mm) diameter tubular
Top rod has two pieces to connect for accommodating 7' or 8' door
Bottom rod is one piece, its length is 31-1/4" (794mm)
- Projection** ----- Pushbar Neutral: 3-1/16" (78mm), Pushbar Depressed: 2-19/32" (66mm)

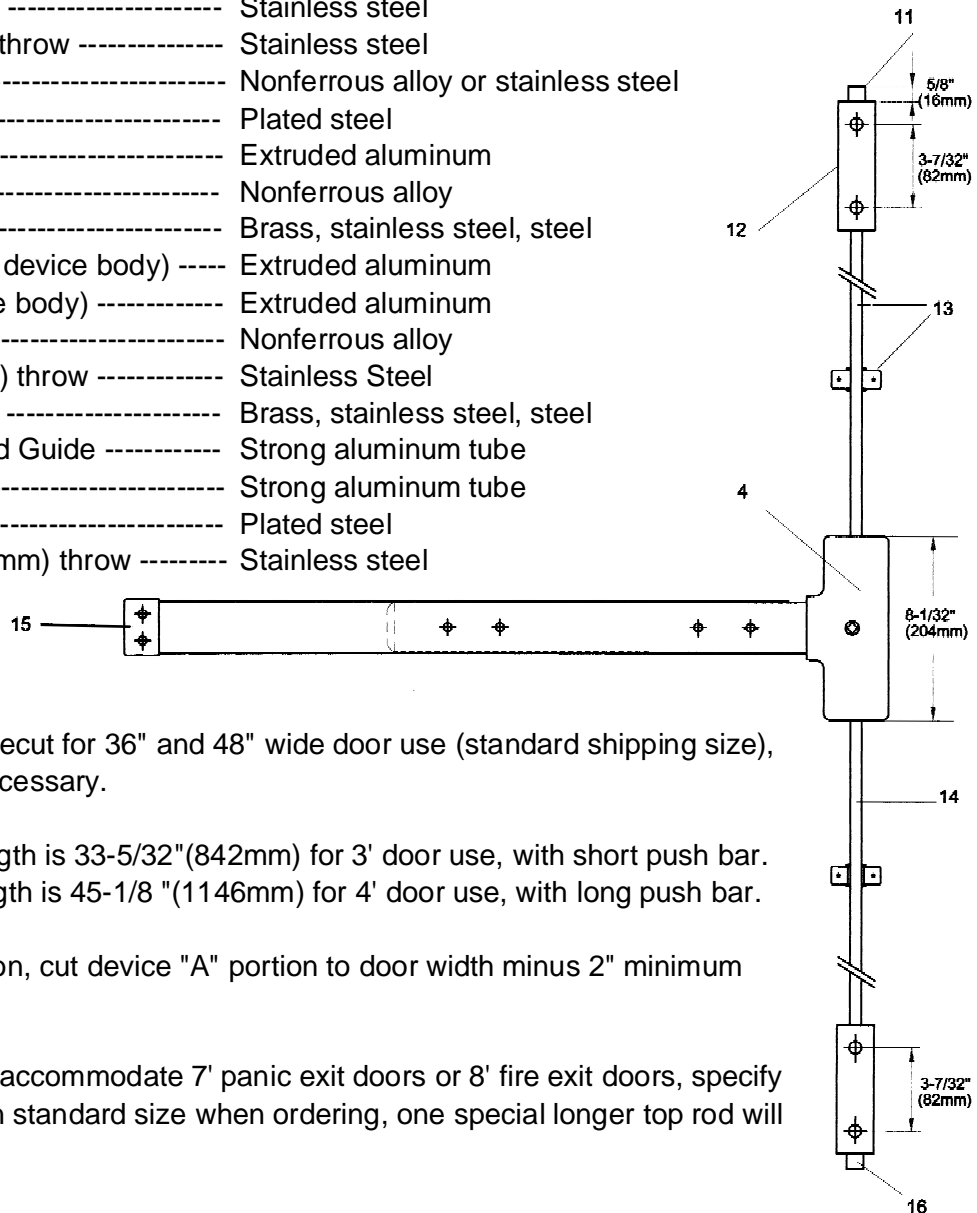
DIMENSIONS

Wide Stile Exit Device



Parts Material

- | | |
|---|-------------------------------------|
| 1. Auxiliary Guarded Latch ----- | Stainless steel |
| 2. Latch bolt, 3/4" (19mm) throw ----- | Stainless steel |
| 3. Chassis Cover ----- | Nonferrous alloy or stainless steel |
| 4. Chassis----- | Plated steel |
| 5. Push Bar ----- | Extruded aluminum |
| 6. Push Bar End Cap ----- | Nonferrous alloy |
| 7. Push Bar Trim ----- | Brass, stainless steel, steel |
| 8. Mechanism Housing (or device body) ----- | Extruded aluminum |
| 9. Dogging Plate (or device body) ----- | Extruded aluminum |
| 10. End Cap ----- | Nonferrous alloy |
| 11. Top Latch, 5/8" (16mm) throw ----- | Stainless Steel |
| 12. Latch Assembly Cover ----- | Brass, stainless steel, steel |
| 13. Top Vertical Rod & Rod Guide ----- | Strong aluminum tube |
| 14. Bottom Vertical Rod ----- | Strong aluminum tube |
| 15. End Cap Bracket ----- | Plated steel |
| 16. Bottom Latch, 5/8" (16mm) throw ----- | Stainless steel |



Device Length

The device lengths are precut for 36" and 48" wide door use (standard shipping size), no additional cutting is necessary.

Short 36" : Device length is $33-5/32"$ (842mm) for 3' door use, with short push bar.

Long 48" : Device length is $45-1/8"$ (1146mm) for 4' door use, with long push bar.

For narrow door installation, cut device "A" portion to door width minus 2" minimum to fit properly.

Our standard vertical rod accommodate 7' panic exit doors or 8' fire exit doors, specify door height if greater than standard size when ordering, one special longer top rod will be furnished.