



Narrow Design Surface Vertical Rod Exit Devices

8530S/8730S : Narrow Design Panic-Rated SVR Exit Device

8530F/8730F : Narrow Design Fire-Rated SVR Exit Device

Certifications

UL/cUL Listed : Panic Exit Hardware, or
3-hour Fire Exit Hardware

ANSI Certified : ANSI A156.3 - 2014 Grade 1

Applications

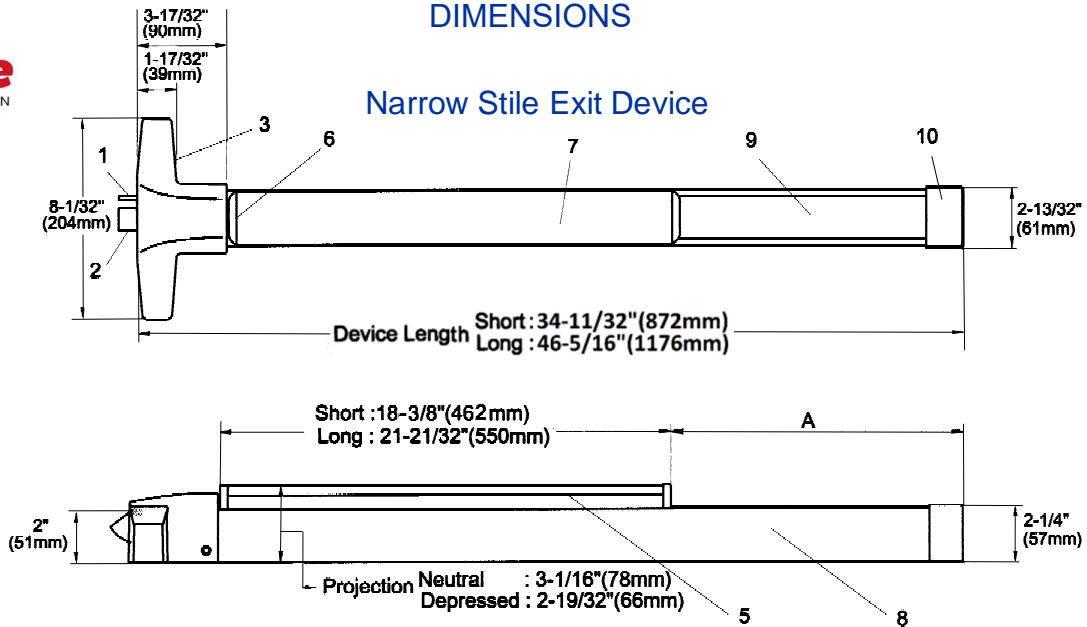
- Narrow design Panic SVR exit device are used for the aluminum frame full glass doors or Narrow stile aluminum doors applications. Narrow design Fire SVR exit device are used for the aesthetics requirements of wide stile (2438mm x 2438mm).
- Available in following finishes
US3, US4, US10, US10B, US26, US26D, US32D
US32D.



Specifications

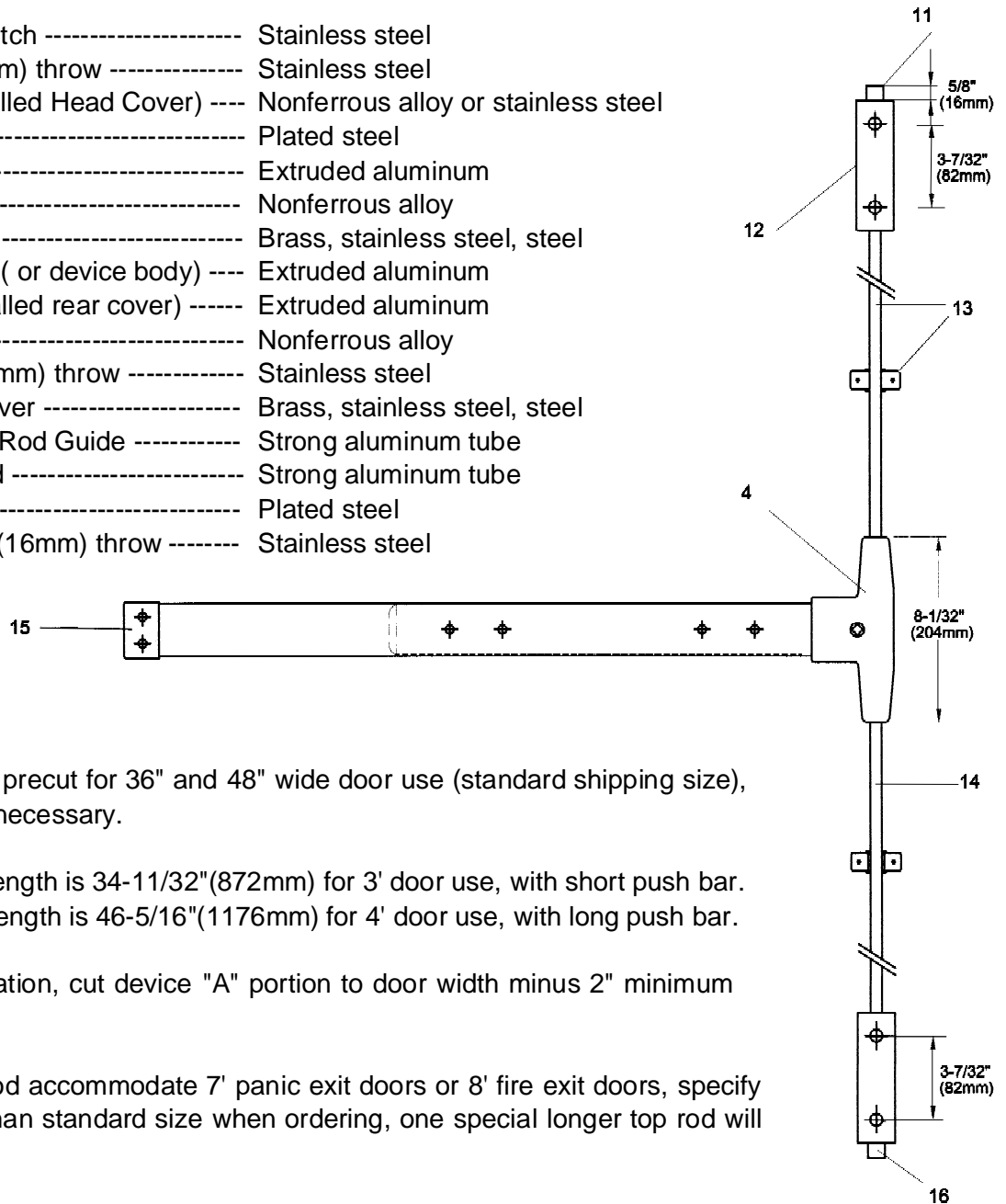
- Device Lengths** ----- Short (36"): 34-11/32" (872mm), Long (48"): 46-5/16" (1176mm)
- Door Widths** ----- 36" - For 29" to 36" (736mm to 914mm) door size
48" - For 33" to 48" (838mm to 1219mm) door size
- Minimum Stile Width** -- 2-19/32" (66mm)
- Latch Bolts** ----- Top latch - 5/8" (16mm) throw, can be deadlocked automatically
Bottom latch - 5/8" (16mm) throw, held retracted during door swing
- Strikes** ----- Top - 812 (panic), 822 (fire). Bottom - 815 (panic), 825 (fire)
- Dogging Kit** ----- Panic device - Hex key dogging (RD) standard
Fire device - No mechanical dogging (ND)
- Dogging Options** ----- Cylinder Dogging (CD), Less Dogging (LD)
- Mounting Fasteners** --- Panic device - Machine screws furnished for device standard
SNB furnished for top & bottom latches
Optional SNB are available for device
Fire device - Sex nuts and bolts (SNB) supplied standard
- Mounting Height** ----- Device centerline from finished floor is 40" (1016mm) standard
- Door Opening Height** -- Standard door height is 7', 8' available
- Vertical Rods** ----- 1/2" (13mm) diameter tubular with rod guides
Top rod has two pieces to connect for accommodating 7' or 8' door
Bottom rod is one piece, its length is 31-1/4" (794mm)
- Projection** ----- Pushbar Neutral: 3-1/16" (78mm), Pushbar Depressed: 2-19/32" (66mm)

DIMENSIONS



Parts Material

- | | |
|--|-------------------------------------|
| 1. Auxiliary Guarded Latch ----- | Stainless steel |
| 2. Latch bolt, 3/4" (19mm) throw ----- | Stainless steel |
| 3. Chassis Cover (or called Head Cover) ---- | Nonferrous alloy or stainless steel |
| 4. Chassis ----- | Plated steel |
| 5. Push Bar ----- | Extruded aluminum |
| 6. Push Bar End Cap ----- | Nonferrous alloy |
| 7. Push Bar Trim ----- | Brass, stainless steel, steel |
| 8. Mechanism Housing (or device body) ---- | Extruded aluminum |
| 9. Dogging Plate (or called rear cover) ----- | Extruded aluminum |
| 10. End Cap ----- | Nonferrous alloy |
| 11. Top Latch, 5.8" (16mm) throw ----- | Stainless steel |
| 12. Latch Assemble Cover ----- | Brass, stainless steel, steel |
| 13. Top Vertical Rod & Rod Guide ----- | Strong aluminum tube |
| 14. Bottom Vertical Rod ----- | Strong aluminum tube |
| 15. End Cap Bracket ----- | Plated steel |
| 16. Bottom Latch, 5/8" (16mm) throw ----- | Stainless steel |



Device Length

The device lengths are precut for 36" and 48" wide door use (standard shipping size), no additional cutting is necessary.

Short 36" : Device length is 34-11/32"(872mm) for 3' door use, with short push bar.

Long 48" : Device length is 46-5/16"(1176mm) for 4' door use, with long push bar.

For narrow door installation, cut device "A" portion to door width minus 2" minimum to fit properly.

Our standard vertical rod accommodate 7' panic exit doors or 8' fire exit doors, specify door height if greater than standard size when ordering, one special longer top rod will be furnished.