



## Narrow Design Concealed Vertical Rod Exit Device

8550S/8750S : Narrow Design Panic-Rated CVR Exit Device

8550F/8750F : Narrow Design Fire-Rated CVR Exit Device

### Certifications

UL/cUL Listed : Panic Exit Hardware or  
3-hour Fire Exit Hardware  
ANSI Certified : ANSI A156.3 - 2014 Grade 1

### Applications

- Narrow design Panic CVR exit device are used for the aluminum frame full glass doors or narrow stile aluminum doors applications. Narrow design Fire CVR exit devices are used for the aesthetics requirement of wide stile pairs of steel doors up to 8' x 8' (2438mm x 2438mm).
- The exit devices are available in the following finishes : US3, US4, US10, US10B, US26, US26D and US32D.



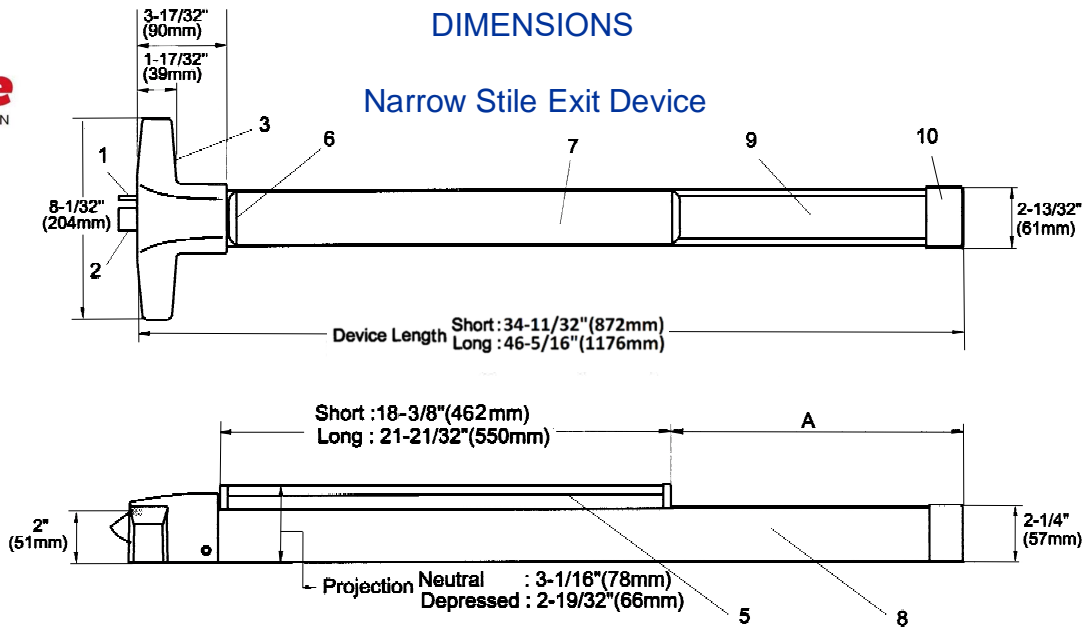
### Specifications

- Device Lengths** ----- Short (36"): 34-11/32" (872mm), Long (48"): 46-5/16" (1176mm)
- Door Widths** ----- 36" - For 29" to 36" (736mm to 914mm) door size  
48" - For 33" to 48" (838mm to 1219mm) door size
- Minimum Stile Width** -- 2-19/32" (66mm)
- Latch Bolts** ----- Top latch - 5/8" (16mm) throw, can be deadlocked automatically  
Bottom latch - 5/8" (16mm) throw, held retracted during door swing
- Strikes** ----- Top - 813 (panic), 823 (fire). bottom - 815 (panic), 825 (fire)
- Dogging Kit** ----- Panic device - Hex key dogging (RD) standard  
Fire device - No mechanical dogging (ND)
- Dogging Options** ----- Cylinder Dogging (CD)  
Less Dogging (LD)
- Mounting Fasteners** --- Device centerline from finished floor is 40" (1016mm) standard
- Door Opening Height** - Standard door height is 7', 8' is available
- Vertical Rods** ----- 1/2" (13mm) diameter tubular  
Top rod has two pieces to connect for accommodating 7' or 8' door  
Bottom rod is one piece, its length is 31-1/4" (794mm)
- Projection** ----- Pushbar Neutral: 3-1/16" (78mm), Pushbar Depressed: 2019/32" (66mm)



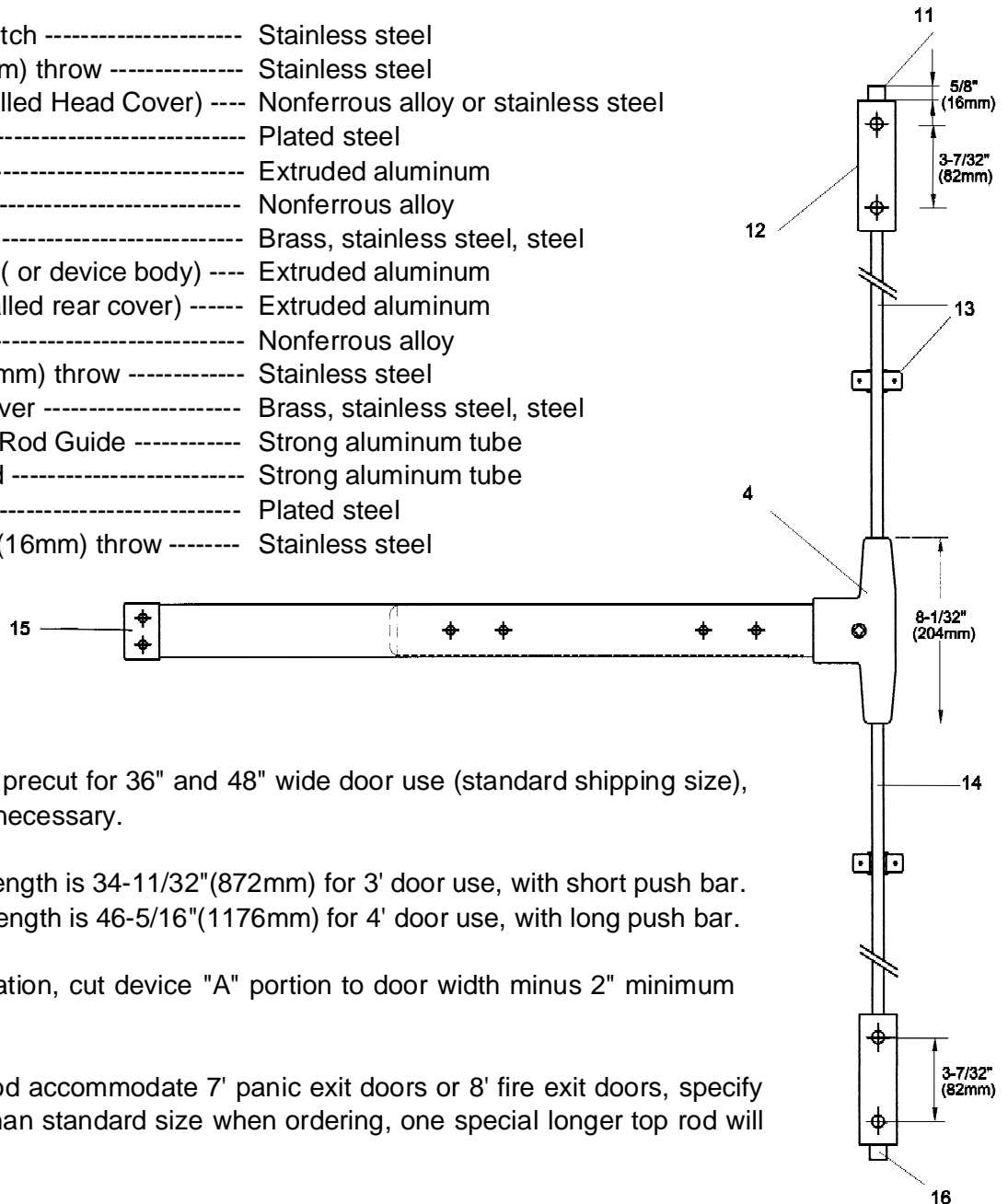
## DIMENSIONS

### Narrow Stile Exit Device



## Parts Material

- |  |                                     |
|--|-------------------------------------|
| 1. Auxiliary Guarded Latch -----               | Stainless steel                     |
| 2. Latch bolt, 3/4" (19mm) throw -----         | Stainless steel                     |
| 3. Chassis Cover (or called Head Cover) ----   | Nonferrous alloy or stainless steel |
| 4. Chassis -----                               | Plated steel                        |
| 5. Push Bar -----                              | Extruded aluminum                   |
| 6. Push Bar End Cap -----                      | Nonferrous alloy                    |
| 7. Push Bar Trim -----                         | Brass, stainless steel, steel       |
| 8. Mechanism Housing ( or device body) ----    | Extruded aluminum                   |
| 9. Dogging Plate ( or called rear cover) ----- | Extruded aluminum                   |
| 10. End Cap -----                              | Nonferrous alloy                    |
| 11. Top Latch, 5.8" (16mm) throw -----         | Stainless steel                     |
| 12. Latch Assemble Cover -----                 | Brass, stainless steel, steel       |
| 13. Top Vertical Rod & Rod Guide -----         | Strong aluminum tube                |
| 14. Bottom Vertical Rod -----                  | Strong aluminum tube                |
| 15. End Cap Bracket -----                      | Plated steel                        |
| 16. Bottom Latch, 5/8" (16mm) throw -----      | Stainless steel                     |



## Device Length

The device lengths are precut for 36" and 48" wide door use (standard shipping size), no additional cutting is necessary.

Short 36" : Device length is 34-11/32"(872mm) for 3' door use, with short push bar.

Long 48" : Device length is 46-5/16"(1176mm) for 4' door use, with long push bar.

For narrow door installation, cut device "A" portion to door width minus 2" minimum to fit properly.

Our standard vertical rod accommodate 7' panic exit doors or 8' fire exit doors, specify door height if greater than standard size when ordering, one special longer top rod will be furnished.