



# Surface Vertical Rod Exit Devices

**Model 5530S Panic-Rated SVR Exit Device** – Wide stile design for exit doors use  
**Model 5530F Fire-Rated SVR Exit Device** – For wide stile fire labeled doors use

## Applications

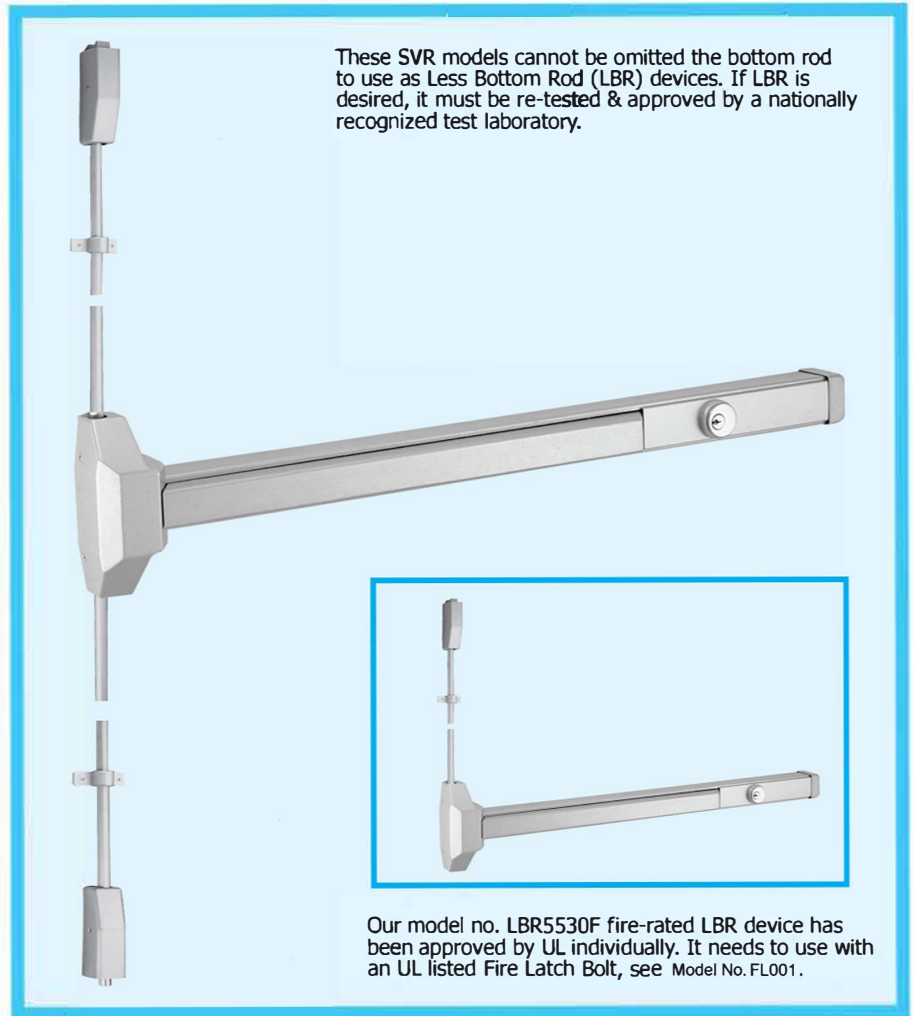
- For use on all single doors or double doors where two-point latch is desirable (inactive leaf of double door in specialty). (Fire rated device must use on 4' x 8' single or 8' x 8' double fire labeled doors).
- Fits for 1 3/4" (44mm) thick standard RHR or LHR hollow metal doors & wood doors, other than standard 1 3/4" is available but specify door thickness when ordered.
- Minimum Door Stile Width: 3 1/2" (90mm).

### 534 Top Strike

Applied to surface of stop. Hardened steel, plated

### 537 Bottom Strike

Applied to surface of floor. Nonferrous alloy, plated

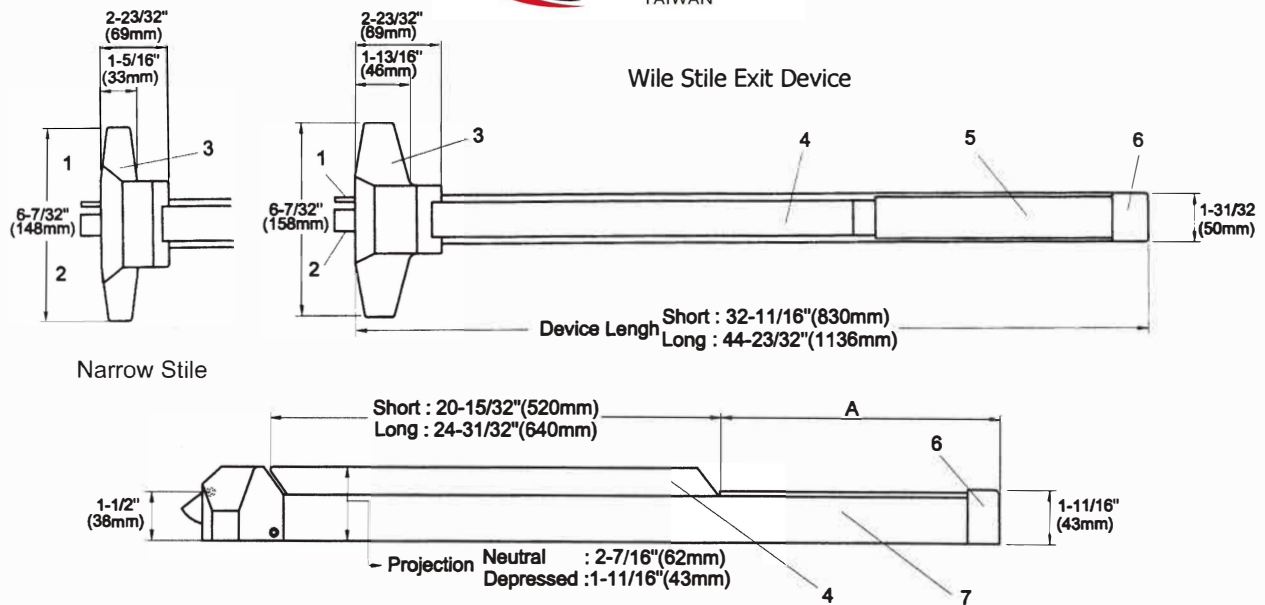


## Specifications

Device Head Cover -----	Stainless steel, or nonferrous alloy	Strikes -----	Top 534, Bottom 537
Chassis -----	Steel, plated	Handing -----	Non-handed.
Mechanism Housing -----	Steel, stainless steel	Mounting Fasteners ---	Machine screws furnished standard Sex Nut and Bolt (SNB) are required to use for wood doors Order SNB separately
Push Bar -----	Steel, stainless steel	Dogging* -----	Allen-type key furnished
End Cap -----	Steel, stainless steel	Finish -----	605, 630, 689, 690, four finishes
Latch Bolts -----	100% stainless steel, 1/2" (13mm) throw	Dimension -----	See Dimensions
Latch Case Covers -----	Steel, stainless steel	Device Length -----	See Dimensions
Vertical Rods -----	Tubular aluminum with rod guides	UL Listed -----	For Panic Hardware and Fire Exit Hardware

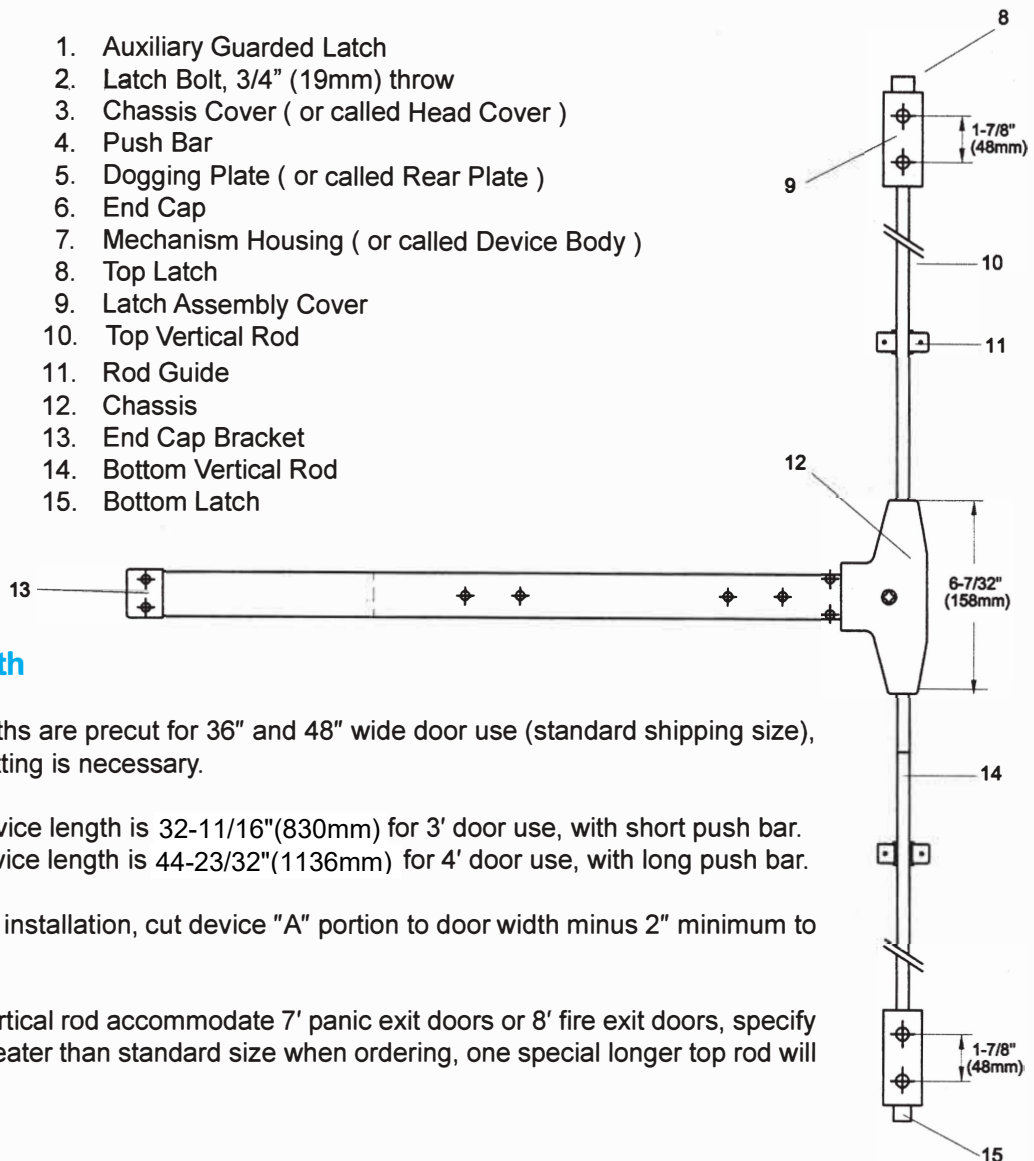
\* Fire rated SVR device has no mechanical dogging.  
 (Dogging device is not permitted on fire-rated exit device.)

## DIMENSIONS



## Parts Name

1. Auxiliary Guarded Latch
2. Latch Bolt, 3/4" (19mm) throw
3. Chassis Cover ( or called Head Cover )
4. Push Bar
5. Dogging Plate ( or called Rear Plate )
6. End Cap
7. Mechanism Housing ( or called Device Body )
8. Top Latch
9. Latch Assembly Cover
10. Top Vertical Rod
11. Rod Guide
12. Chassis
13. End Cap Bracket
14. Bottom Vertical Rod
15. Bottom Latch



## Device Length

The device lengths are precut for 36" and 48" wide door use (standard shipping size), no additional cutting is necessary.

Short 36": Device length is 32-11/16"(830mm) for 3' door use, with short push bar.

Long 48": Device length is 44-23/32"(1136mm) for 4' door use, with long push bar.

For narrow door installation, cut device "A" portion to door width minus 2" minimum to fit properly.

Our standard vertical rod accommodate 7' panic exit doors or 8' fire exit doors, specify door height if greater than standard size when ordering, one special longer top rod will be furnished.





# DEVICE OUTSIDE TRIMS

## Model 58L Series Escutcheon Lever Trims

### Features:

1. Non-handed, easily install with exit device.
2. Provide 4 finishes for users and architects choosing: US3(605), US20A(690), US28(689), and US32D(630).
3. Trim has two through-bolts to the device chassis directly for more security and durability.  
It fits 1-3/4" (44mm) door standard. For 2" (51mm), 2-1/4" (57mm) thick door or the shim-mounted exit device, specify the door thickness when ordering.
4. This series trim is Anti-Vandalism design that can prevent the lock from damaging when key locks the lever in rigid and horizontal position.
5. The trim has four (4) models to meet different functions use, see the chart below.

### Models and Functions:

<b>Operation Options</b>	Key Locks & Unlocks Lever 	Lever Always Active (No Cylinder) 	Key Retracts Latchbolt 	Pull when Dogged (Not recommended for Fire Device) 
<b>Function</b>	Classroom	Passage	Storeroom	Dummy
<b>Trim Designation</b>	Cylinder Escutcheon Lever	Blank Escutcheon Lever	Night Latch Escutcheon Lever	Dummy Escutcheon Lever
<b>Model Number &amp; Use</b>	58L01A	58L01B	58L01C	58L01D
	For 5510 Series Rim, 5530 Series Surface Vertical Rod			
<b>Escutcheon Plate Size</b>	8 1/16" x 2 5/16" x 13/16" (205mm x 67mm x 21mm)			
<b>ANSI Function Numbers</b>	08	14	03	02
<b>Cylinder Type</b>	1/4" Mortise	—	Rim	—

- Escutcheon is made of steel or stainless steel, lever handle is made of zinc alloy.
- When need to meet key requirement, the trims may receive cylinders from other manufacturers.
- Cylinder is not furnished standard. Specify cylinder type (RC – Regular Cylinder, IC – Interchangeable Core or NC – No Cylinder) when the cylinder is required.

### Optional Lever Design



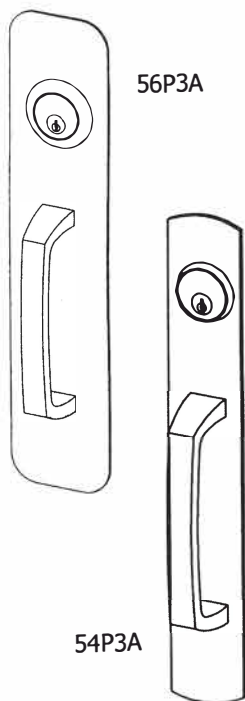
### Cylinder Selection

The cylinder has two types as shown below.





## Model 56P and 54P Series Standard Pull Plates



Trim Designation	Cylinder Pull Plate (with cylinder)	Dummy Pull Plate (without cylinder)	Flat Plate (without cylinder & grip)
<b>Function</b>	Night latch	Dummy	Décor
<b>Operation</b>	Key Retracts Latchbolt	Pull when Dogged (Don't use for Fire Device)	Cannot operate
<b>Escutcheon Plate Size</b>	56P Series - L 11 <sup>13</sup> / <sub>16</sub> " x W 3" x T <sup>3</sup> / <sub>32</sub> " ( 300mm x 76mm x 2mm) 54P Series - L 11 <sup>13</sup> / <sub>16</sub> " x W 1 <sup>25</sup> / <sub>32</sub> " x T <sup>3</sup> / <sub>32</sub> " ( 300mm x 45mm x 2mm)		
<b>Model Number for Wide Stile Exit Device</b>	56P3A	56P3B	56P3D
	For 5510 Series Rim and 5530 Series SVR Devices Use		
<b>Model Number for Narrow Stile Exit Device</b>	54P3A	54P3B	54P3D
	For 5610S Rim and 5630S Series SVR Devices Use		
<b>ANSI Function Numbers</b>	03	02	10
<b>Cylinder Type</b>	Rim	—	—

## Model 52R Series Raised – Lip Type Pull Plates



Trim Designation	Cylinder RL Type Pull Plate	Blank RL Type Pull Plate	Flat Plate (No Lips)
<b>Function</b>	Night Latch	Dummy	Décor
<b>Operation</b>	Key Retracts Latchbolt	Pull when Dogged (Don't use for Fire Device)	Cannot operate
<b>Dimensions</b>	L 7 <sup>11</sup> / <sub>16</sub> " x W 3" x T <sup>1</sup> / <sub>8</sub> " ( 196mm x 76mm x 3mm)		
<b>Model Number &amp; Use for Device Type</b>	52R2A	52R2B	52R2D
	For 5510 Series Rim and 5530 Series SVR Devices Use Only		

- Cylinder is not furnished standard. When need to meet key requirement, the trims may receive cylinders from other manufacturers. Specify cylinder type (RC – Regular Cylinder, IC – Interchangeable Core, NC – No Cylinder) when the cylinder is required.
- The face plates of these trims are made of steel or stainless steel, lever handle is made of zinc alloy.
- 52R & 56P Series trims can retrofit 1 <sup>3</sup>/<sub>4</sub>" steel doors prep for bored locks (per ANSI A115.2).
- 54P & 56P Series trims furnish mounting through-bolts, 52R Series trim furnishes sex nuts and bolts (SNB).
- Supply US3(605), US32D(630), US20A(690), and US28(689) four finishes.
- To Inquire or Order  
Specify model numbers, cylinder type, finish code, and add door thickness if the door is thicker than standard. For example: **52R2A-RC-630**





## Model 55K and 53K Series Rose Lever Trims

### Features:

1. Non-handed, easily install with exit device.
2. Easy operating lever handle allows convenient one hand operation.
3. Provide 4 finishes for users and architects choosing: US3(605), US20A(690), US28(689), and US32D(630).
4. Trim has two through-bolts to the device chassis directly for more security and durability.
5. The actuating shaft of this trim is made of hardened steel bar, it fits 1-3/4" (44mm) door standard. For 2" (51mm), 2-1/4" (57mm) thick door or the shim-mounted exit device, specify the door thickness when ordering.
6. Clutch freewheeling design. The lever rotates when the door is locked preventing excessive force from being applied to the horizontal lever. This designed feature can decrease the lever to be broken or damaged.

### Models and Functions:

Operation Options		Key Locks & Unlocks Lever	Key Retracts Latchbolt	Lever Always Active (No Cylinder)	Pull when Dogged (Not recommended for Fire Device)
					
<b>Function</b>		Classroom	Storeroom	Passage	Dummy
<b>Trim Designation</b>		Cylinder Escutcheon Lever	Night Latch Escutcheon Lever	Blank Escutcheon Lever	Dummy Escutcheon Lever
<b>Model Numbers &amp; Use</b>		55K01A	55K01C	55K01B	55K01D
		53K01A	53K01C	53K01B	53K01D
		For Rim, Surface Vertical Rod Exit Devices Use			
<b>Dimensions</b>	<b>55 Series</b>	Rose diameter 3 3/8"(86mm), Lever length 4 3/4" (121 mm), Projection (3 1/32" 77mm)			
	<b>53 Series</b>	Rose diameter 3 1/16" (78mm), Lever length 4 3/4" (121 mm), Projection (3 1/32" 77mm)			
<b>ANSI Function Numbers</b>		08	03	14	02

- Rose Trim is made of steel or stainless steel, lever handle is made of zinc alloy.
- When need to meet key requirement, the trims may receive cylinders from other manufacturers.
- Cylinder is not furnished standard. Specify cylinder type (RC – Regular Cylinder, IC – Interchangeable Core or NC – No Cylinder) when the cylinder is required.
- 55K Series trims can fit and cover turtle cutout of 1 3/4" steel doors prep for bored locks with lever handles (per ANSI/BHMA A156.115).

To inquire or order for 55K or 53K Series Trims, specify the following form:

