

HOSPITAL PATIENT SAFETY LEVER WITH CYLINDRICAL LATCH

THASE safety lever provides patients and staff in hospitals with easy to operate for free egress or ingress at all times. The traditional cylindrical latch is now available in an anti-ligature design. The reliable lever is always free-rotating bi-directionally, meets the need of resisting ligature strangulation on the lock trim. It is designed to reduce to suicide through hanging by a ligature. The 100 % stainless steel design represents the strong and highest level of quality construction used for the asylums, hospitals and sanitariums.

Features:

- Non – handed
- Available for patient rooms in behavioral healthcare institutes
- 100% solid stainless steel conical knob and lever, durable design
- Fit 1-3/4" (44.5 mm) door thickness
- Anti- Microbial coating option
- Easy installation with through-bolted fixed trims
- Independent lever spring in knob or lever base inside
- All screws concealed or recessed, no exposed fasteners

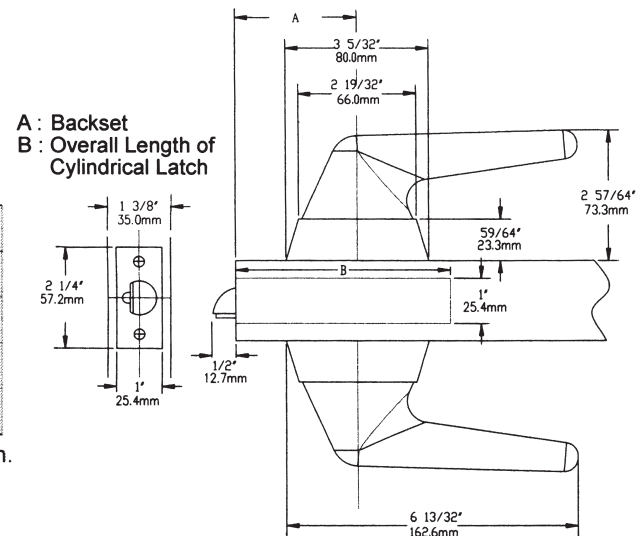


Dimensions:

Cylindrical Latch Dimensions:

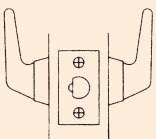
Model No.	Overall Length	Backset
CL160	3-5/16" (84 mm)	2-3/8" (60 mm)
	3-11/16" (94 mm)	2-3/4" (70 mm)
CL190	4-9/16" (116 mm)	3-9/16" (90 mm)
	4-7/8" (126 mm)	3-15/16" (100 mm)

Each of two models is changeable for additional 10 mm in length.



Function:

CYLINDRICAL LOCK FUNCTION

Function Figure	Behavioral Health Center Popular Function	ANSI Function Number & Equivalent	THASE Model No.	Function Description	Operating Status	
					Outside Lever	Inside Lever
	Passage	F75	CL160 CL190	Operating latch bolt by inside or outside lever	Cannot be Locked	Cannot be locked