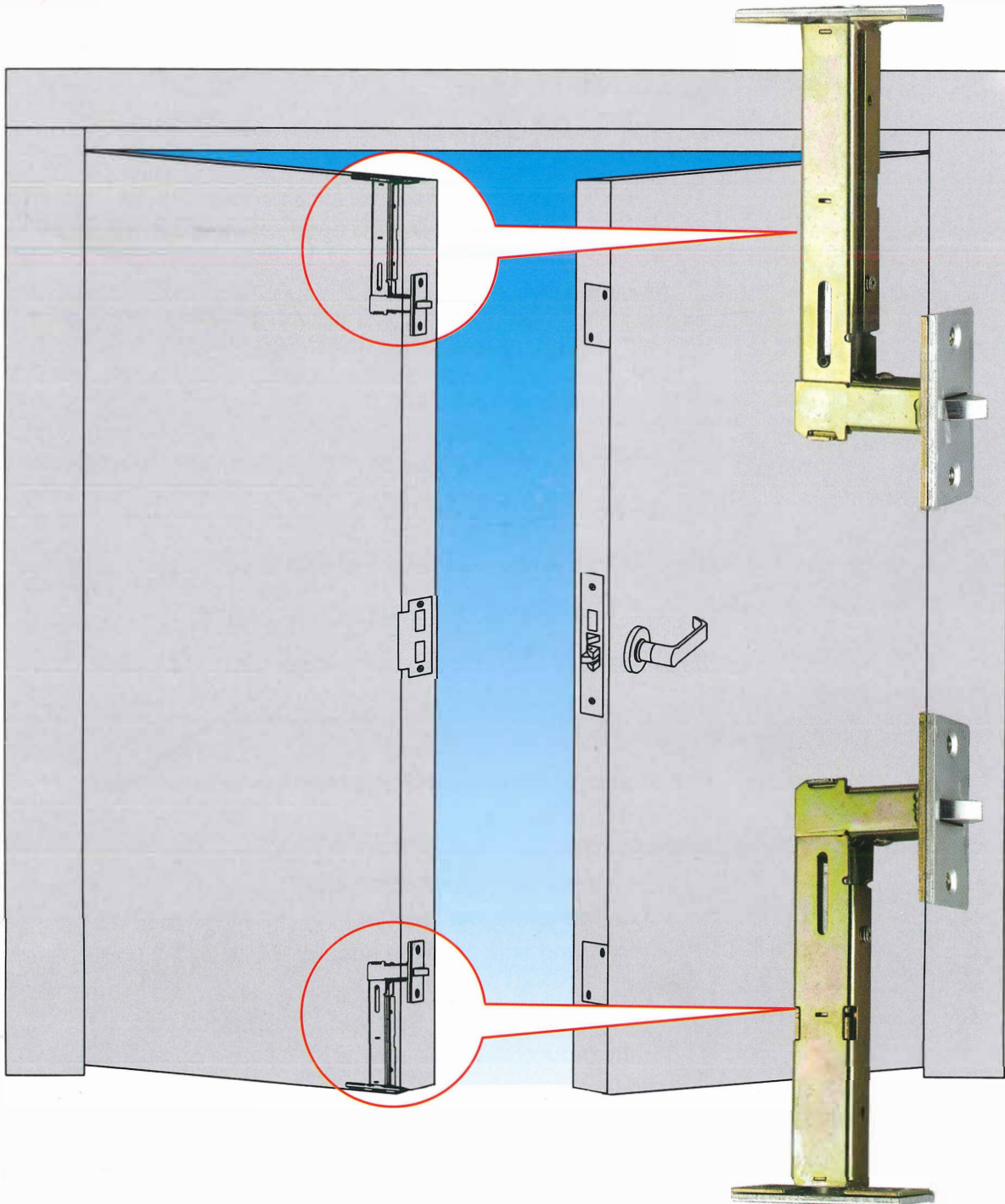


# UNIVERSAL FLUSH BOLTS



**Architectural Hardware**

# UNIVERSAL FLUSH BOLTS

## Specification:

- Label A (3-hour rating)
- UL Listed for Fire Hardware, comply with:
  - UL 10B – Fire Tests of Door Assemblies
  - UL 10C - Positive Fire Tests of Door Assemblies
  - UBC 7-2 (1997) – Fire Tests of Door Assemblies
- Conform to ANSI/BHMA A156.3 – 2008, Type 25
- Faceplate Material: Steel, Stainless Steel or Brass
- Faceplate Finishes: Available for popular 8 finishes, i.e.
  - US Standard: US3, US4, US10, US10B, US26, US26D, US32, US32D
  - BHMA Standard: 605, 606, 612, 613, 625, 626, 629, 630



## Features:

**Simple Door Preparation**

**Easy and Faster Installation**

**Dual Use for Metal / Wood Doors**

**Need not Cut Out on Inactive Door**

**Available for All Buildings in the World**

- Tested and approved by UL Fire Protection Division at Northbrook laboratory in USA and American Intertek Testing Service (ITS) laboratory
- Patent pending in China, Taiwan and USA
- Non-Handed, it is unnecessary to reverse either top or bottom bolt
- Making door prep is much easier than the traditional flush bolts in the world, especially for solid wood doors. Just drill a 1-1/8" vertical round hole from top edge of the door & a horizontal round hole from door edge, quick & simple.
- A predominant feature is used for both a hollow metal door and a solid wood door
- Special mechanism design will greatly reduce defective rate of installation compare to any traditional flush bolts which required to mortise door
- Latch can endure a high temperature up to 2000°F blocking flames to be poured out of the door in case of a fire happening
- Provide a wider selection of four (4) combination models for architects, construction companies or building owners



# Universal Automatic Flush Bolts

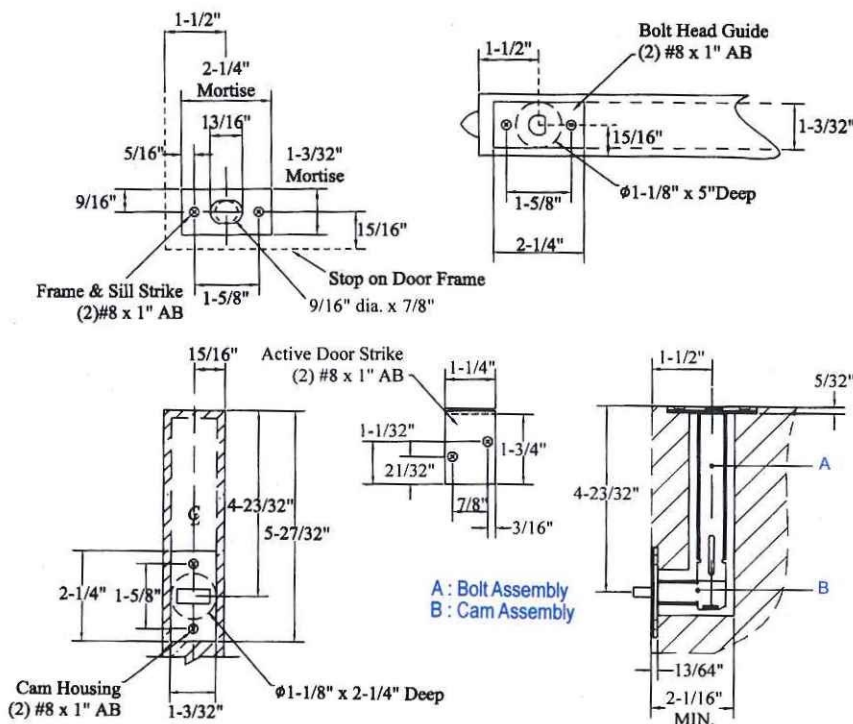
## Use:

These bolts are used in pairs at top and bottom corners of the fire rated inactive door.

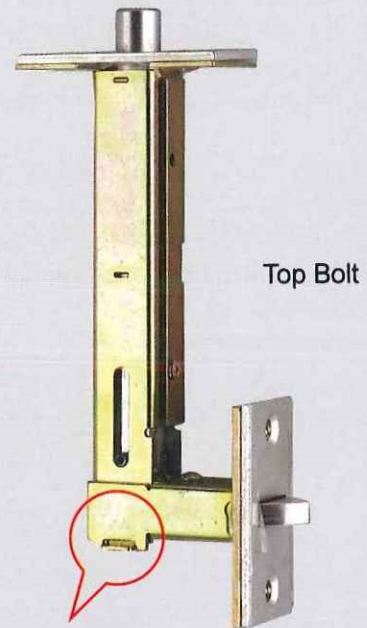
On double door application, it will automatically retract top and bottom bolts while the active door is opened (by exit device, mortise lock or cylindrical lock on push side of the door). It will automatically extend top & bottom bolts into the frame strike and sill strike while the active door is closed. Whatever the top and bottom bolts are retracted from the strikes or extended into strikes, both bolts are motive simultaneously.

On the inactive door prep for FB810 flush bolt, just drill or pre-make a vertical hole on top edge of the door first, and a horizontal hole on edge of the door next; the holes are 1-1/8" (28mm) dia. Insert the *bolt assembly* into the first hole, then insert the *cam assembly* into the 2<sup>nd</sup> hole. Have both grooves on the cam assembly inset with the salient on the bolt assembly. After the both bolts hooking together, install & fasten the *bolt head guide* and *cam cover plate*. It is very simple and easy to install them.

## Dimensions & Template:

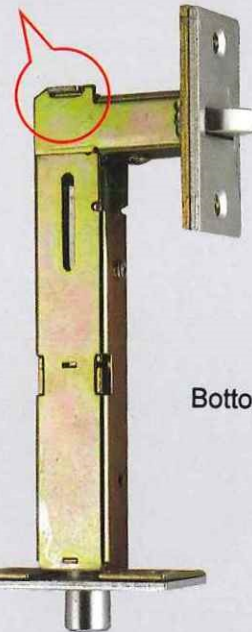


Model No.: FB810  
( Single Bolt )



Top Bolt

GROOVES  
&  
SALIENTS



Bottom Bolt

Model No.: FB820  
( A pair of FB810 )

# Universal Self-Latching Flush Bolts

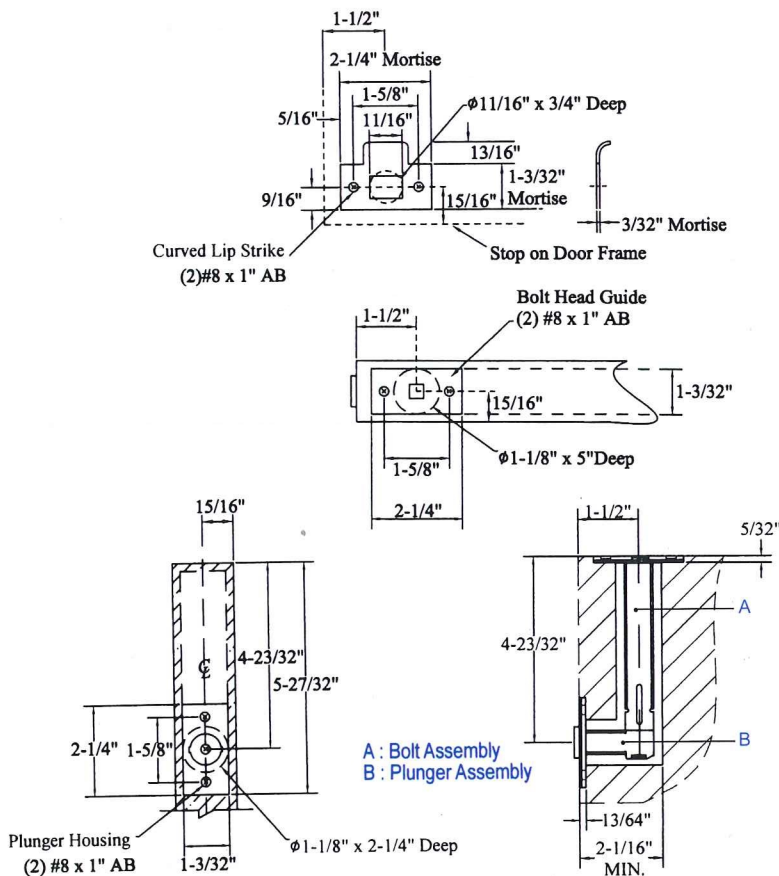
## Use:

These bolts are used in pairs at top and bottom corners of the fire rated inactive door. This combination consists of one self-latching flush bolt and one automatic flush bolt. The self-latching flush bolt is used at top of the door, and the automatic flush bolt is used at the bottom of the door.

The top bolt FB710 automatically engages the curved lip strike every time when the inactive door is closed. This bolt shall remain engaged until retracted by depressing plunger on the face plate of the plunger assembly.

The bottom bolt FB810 will engage the sill strike when the active door is closed. As soon as the active and inactive doors are closed, both top and bottom bolts will engage with the top frame strike and sill strike at the same time. (A dust-proof strike DP005 may be used to replace the sill strike, option; see page 6.)

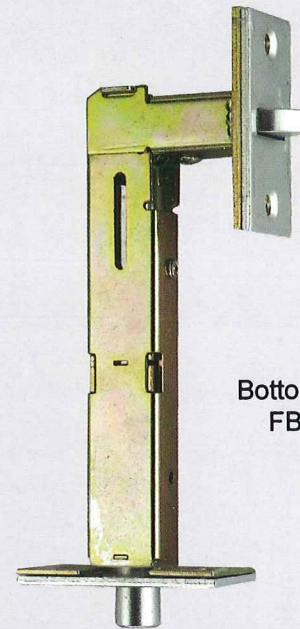
## Dimensions & Template:



Model No.: FB710  
(Single Bolt)



Top Bolt  
FB710



Bottom Bolt  
FB810

Model No.: FB780  
(FB710+FB810  
combination)



# Universal Flush Bolt & Bottom Fire Latch Bolt

## Use:

FB710 and FL001 or FB810 and FL001 combination are UL listed and used for pairs of fire rated doors. The top bolt FB710 or FB810 is installed on top edge of inactive door only, the bottom fire latch bolt is used to replace automatic flush bolt. Except the bottom fire latch bolt can eliminate the bottom automatic flush bolt and dust proof strike, such combinations greatly reduce door preparation, also can eliminate field problems caused by door warp or distortion in field conditions.

FL001 fire latch bolt is a temperature-actuated latch bolt, It is installed horizontally in lower edge of the inactive door with a mating hole in the same lower edge of the active door. It will automatically extend from inactive door into the active door locking leaves together when/under the temperature exceed the rating of the fusible link if a fire broke out, prevent the doors opening and stop flames to be poured out of the doors.

## Fire Latch Bolt Installation

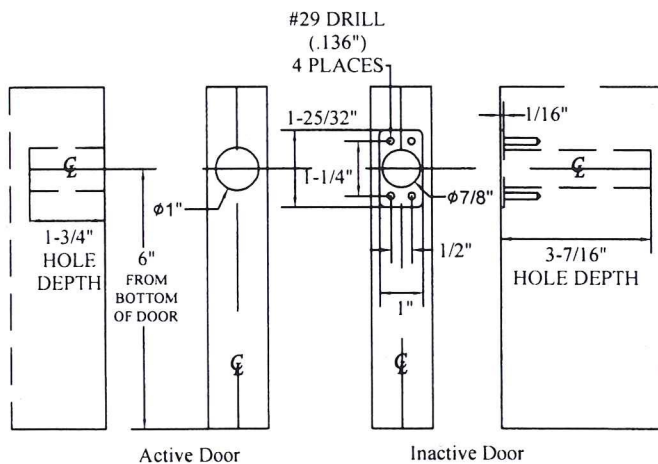
(used with the automatic or self-latching flush bolt.)

### Inactive Door

1. Measure 6" from bottom of the inactive door.
2. Drill a 7/8" dia. x 3-7/16" deep hole for fire latch bolt.
3. Install fire latch bolt by striking squarely with a hammer.

### Active Door

1. Drill a 1" dia. x 1-3/4" deep hole for plug at the same height as the fire latch bolt.
2. Install plug in the door by striking with a hummer.

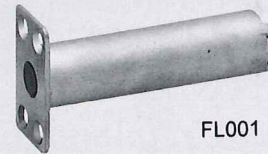


Model No.: FB810+FL001



Top Bolt  
FB810

Bottom  
Fire Latch Bolt



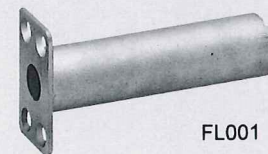
FL001

Model No.: FB710+FL001



Top Bolt  
FB710

Bottom  
Fire Latch Bolt



FL001