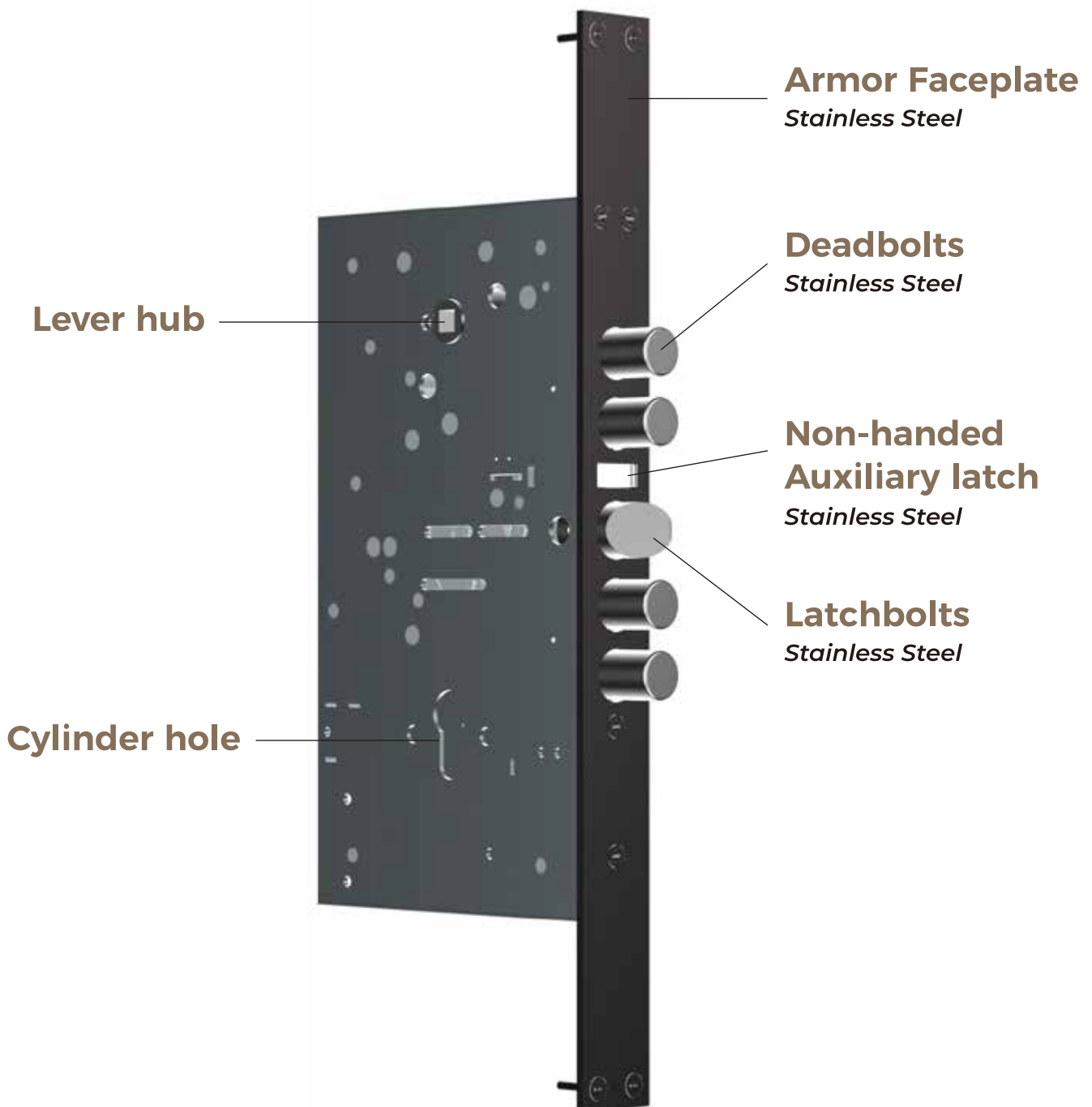


EUROPEAN MORTISE LOCK

TM5100

Our heavy-duty European Mortise Locks comply with EN 12209: 2003/AC :2005 and EN1634-1:2014+A1:2018. What sets this series apart from traditional European standard heavy locks is its ability to quickly lock and unlock, eliminating the need for long keys. In case of an emergency exit, simply push down on the inside lever to retract all bolts for immediate escape.



FEATURES

- Full reversible design.
- Latchbolt retracted by lever from either side unless the outside lever is locked.
- Deadbolts projected by pulling inside and outside levers up (i.e. locking doors without using a key or thumb turn).
- Deadbolts retracted by first unlocking with an outside key and then pushing the outside lever down.
- Inside lever is always free for immediate egress (i.e. deadbolts retracted by turning inside lever).
- Auxiliary latch deadlocks latchbolt when the door is closed.
- Outside lever features a clutch freewheeling design; the lever rotates when locked to prevent excessive force from being applied.



CE CERTIFICATION

- EN 12209:2003/AC:2005

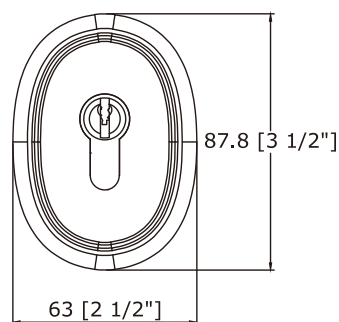
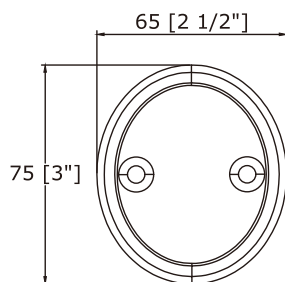
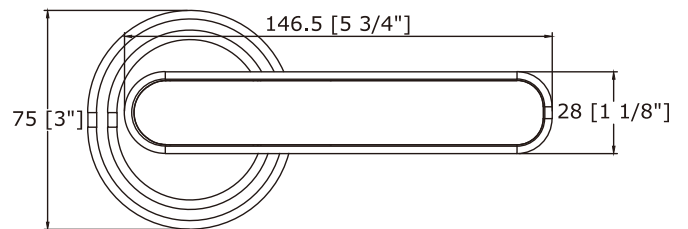
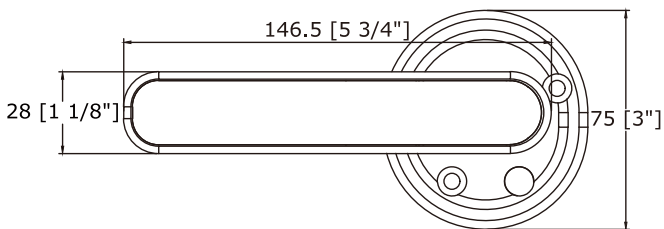
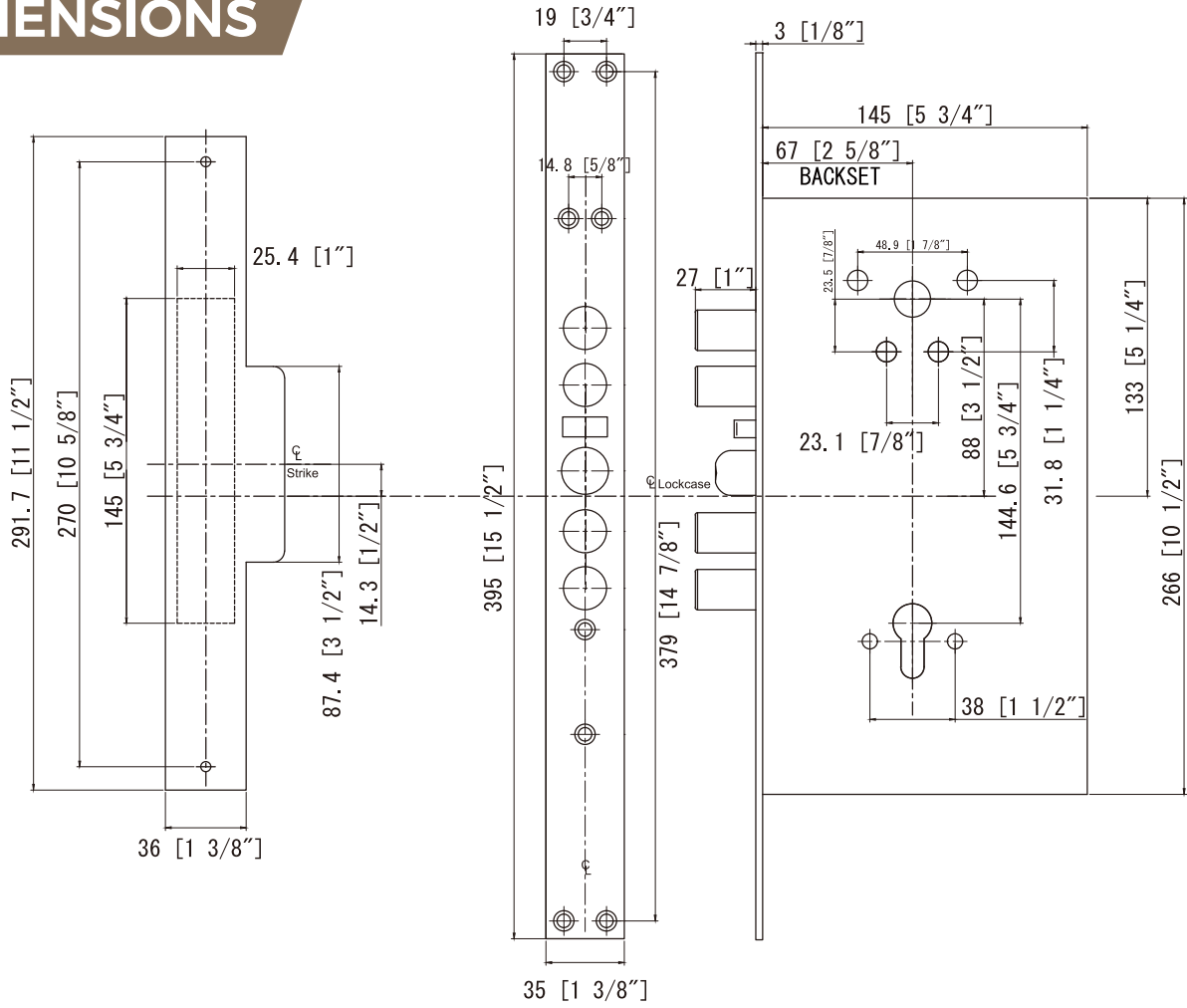
3	X	9	1 ^b	0	G	6	B	A	2	0
---	---	---	----------------	---	---	---	---	---	---	---

- EN1634-1:2014+A1:2018

SPECIFICATIONS

Door thickness		Standard thickness of 60mm (up to 90mm door thickness).
Lock Hand		Lock bodies are easily field reversible; no need to specify hand when ordering.
Backset		67mm.
Lock Case		Heavy-duty wrought steel, zinc dichromate plated.
C to C		∅ lever to ∅ cylinder is 144.6mm.
Faceplate		Grade 304 stainless steel (197.5mm x 35.4mm).
Deadbolt		27mm throw, stainless steel.
Latchbolt		18mm throw, stainless steel.
Auxiliary Latch		Stainless steel, non-handed.
Strike		Grade 304 stainless steel (291.7mm x 36mm).
Trims		Zinc alloy - round rose plate and levers.

DIMENSIONS



Dimensions in [] are inches